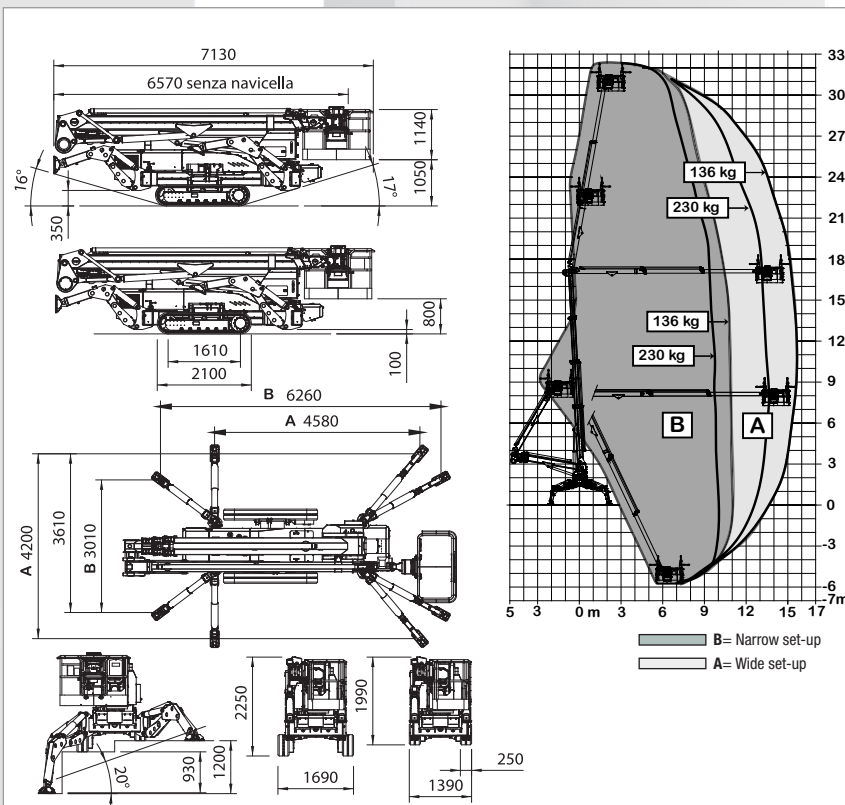


SERIES SPIDER 33.15

The most reliable, compact and easy to manoeuvre without operator

- 17 m "Up & Over" working with a max side outreach up to 15 m
- Capability to be operated 6m below ground level
- Equipped with radio remote control and standard automatic stabilization
- Possibility to self- loading and unloading the machine on a flat-bed truck body
- Available also a bigger size of cage (up to 2,20m)

- Agile and stable on a variable width crawler tracks
- Easy maintenance
- Simple and intuitive on-board equipment
- Ultra-light and easy to transport
- Air & Water 220/110 Vac outlets into the basket
- Fully protected by metal shields



TECHNICAL SPECIFICATIONS		STD	E	ED
Maximum working height	m		32,40	
Floor height	m		30,40	
Maximum side outreach	m		15,60	
Rotation angle of the tower	°		400	
Aluminium basket dimensions	m		1,63 x 0,87	
Basket rotation angle	°		90+90	
Maximum capacity of basket	Kg		230	
Length closed (basket disassembled)	m		7,13 (6,57)	
Minimum width closed	m		1,39	
Minimum height closed	m		1,39	
Overall dimensions Stabilization	Wide Narrow	m	4,21 x 4,58	3,07 x 6,26
Maximum horizontal inclination	degrees/%		14° (31%)	
Maximum side inclination	degrees/%		17° (31%)	
Maximum speed	Km/h	2,0	1,2	2,0
WEIGHTS		STD	E	ED
Weight in work conditions*	Kg	6500*	6800*	6800*
Ground pressure stowed machine	KN/m ²	6,75	6,75	7,03
Ground pressure when on stabilizers	KN/m ²	3,48	3,48	3,61
Max point load on one stabilizer	KN	37,6	37,6	39,0
POWER		STD	E	ED
D902 Kubota diesel engine	HP/rpm	22/3600	-	22/3600
Electric motor 380 Vac	CV/KW	15/380	15/380	-
Electric Motor 24 Vdc	CV/KW	-	7,4/24	7,4/24
Traction battery capacity	24Vdc Lead Acid 24Vdc Lithium Ion	Ah	2x210 400	2x210 400
Battery charger	lead acid lithium ion	Ah	- 45 100 / 50	45 100 / 50

* Subject to change depending on configuration.